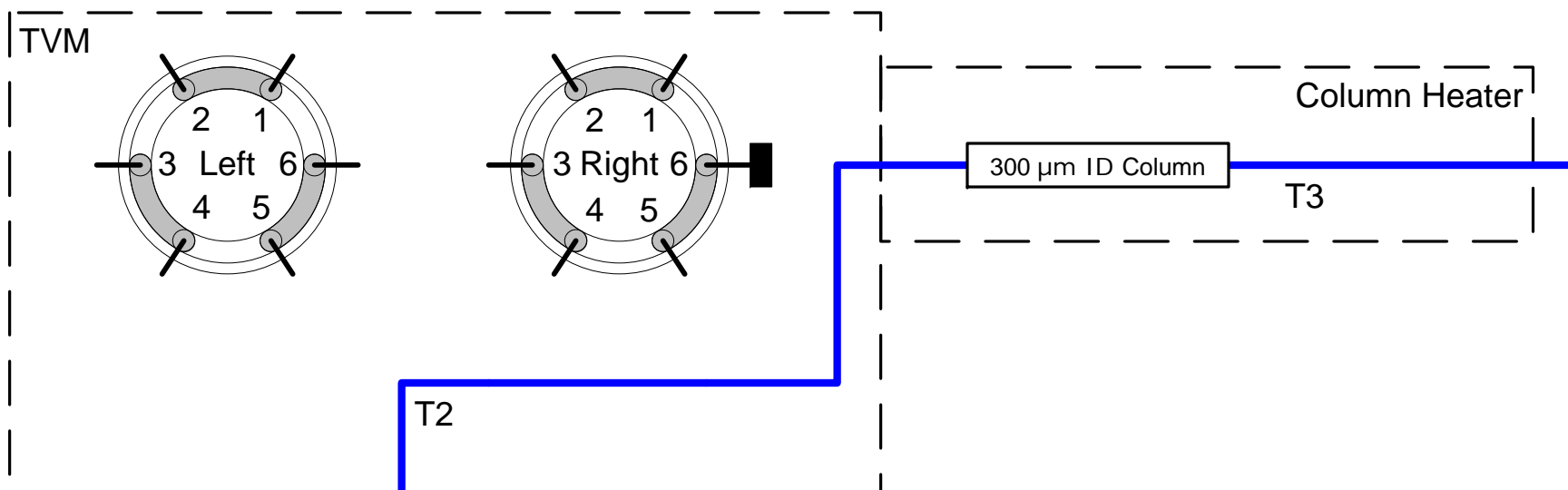


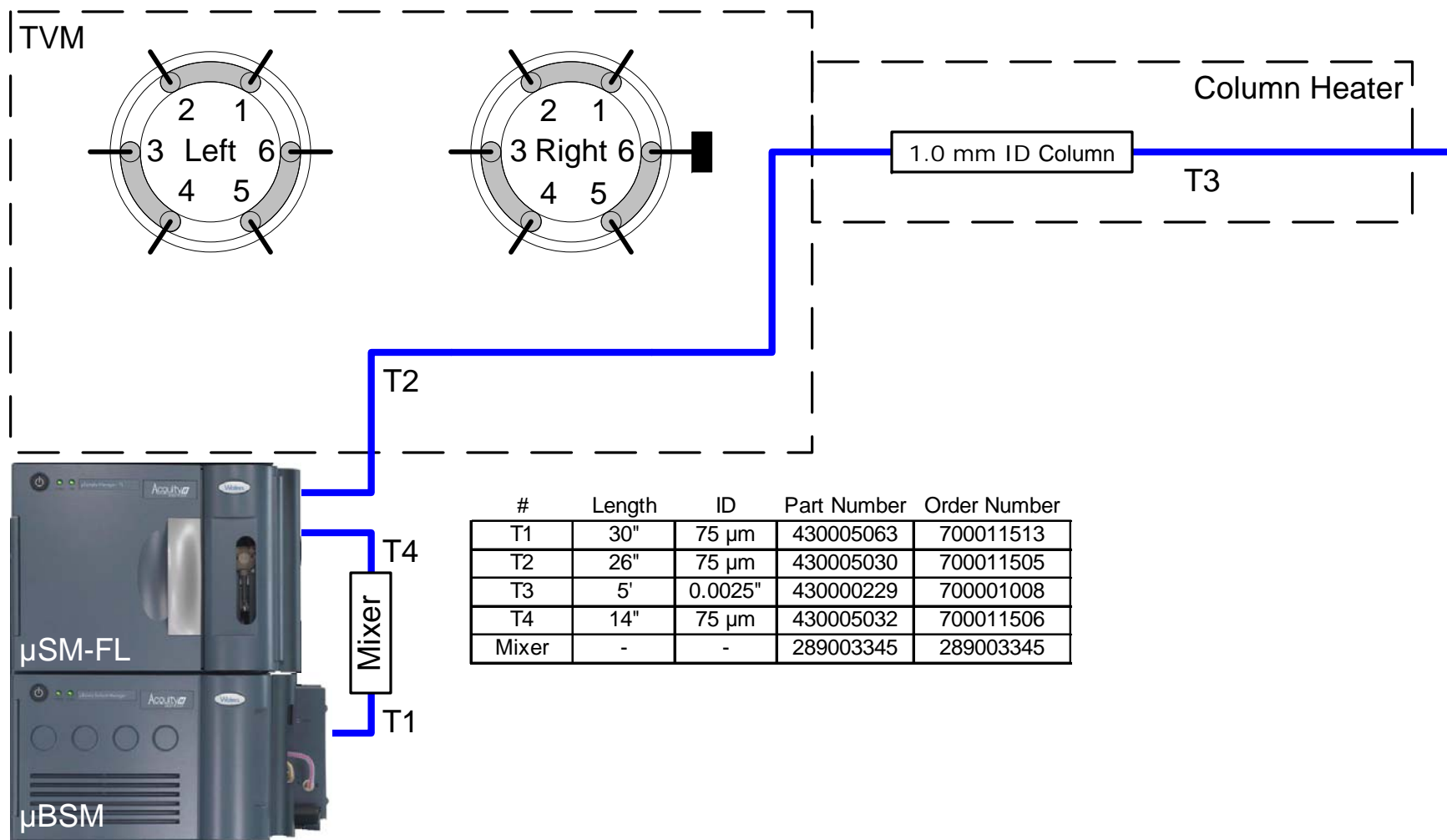
Fluidic Connections for 75, 100, and 150um Scale

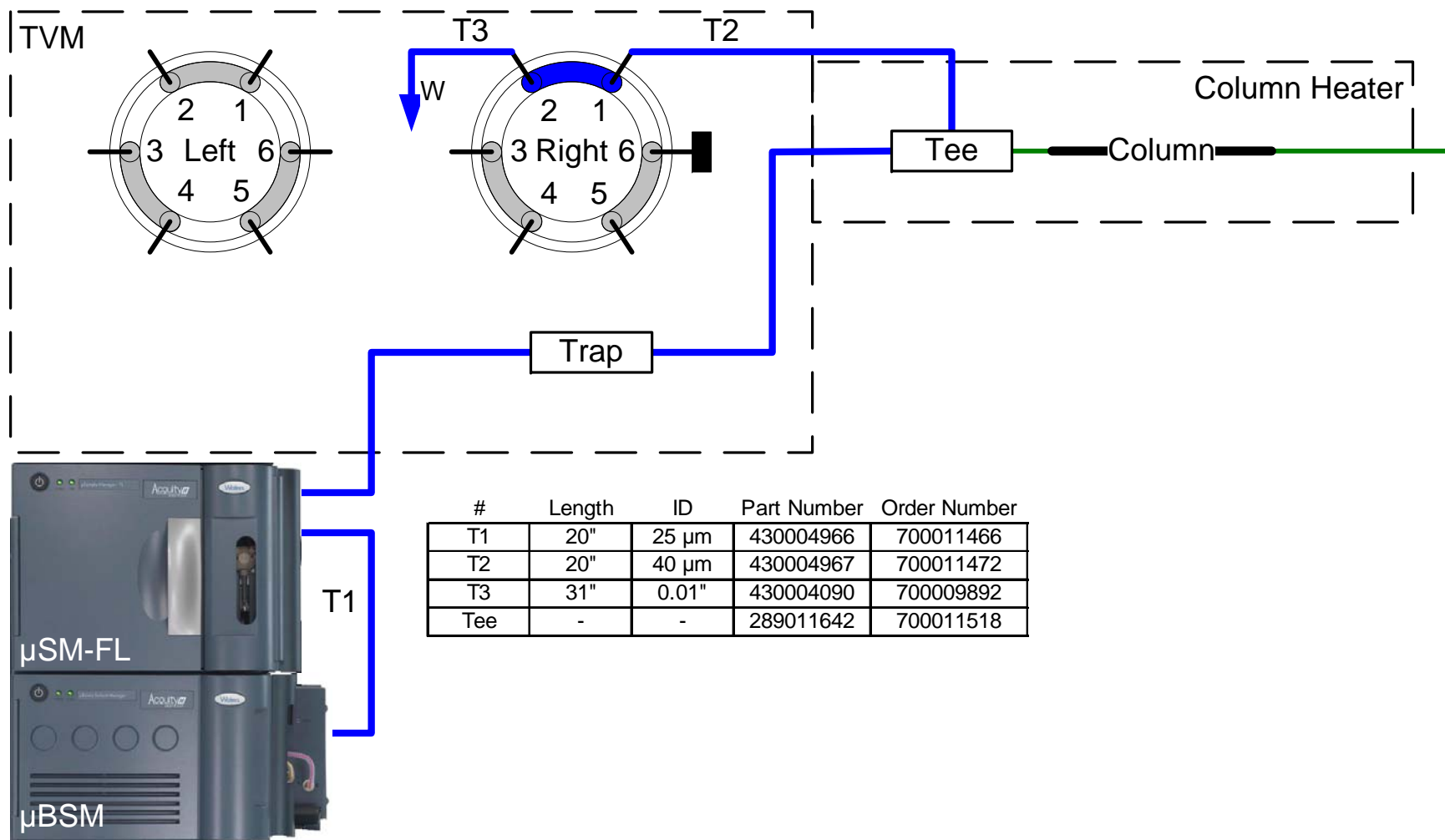
#	Length	ID	Part Number	Order Number
T1	20"	25 μm	430004966	700011466
T2	20"	40 μm	430004967	700011472
T3	30"	25 μm	430004997	700011502
T4	31"	0.01"	430004090	700009892
Tee	-	-	289011642	700011518

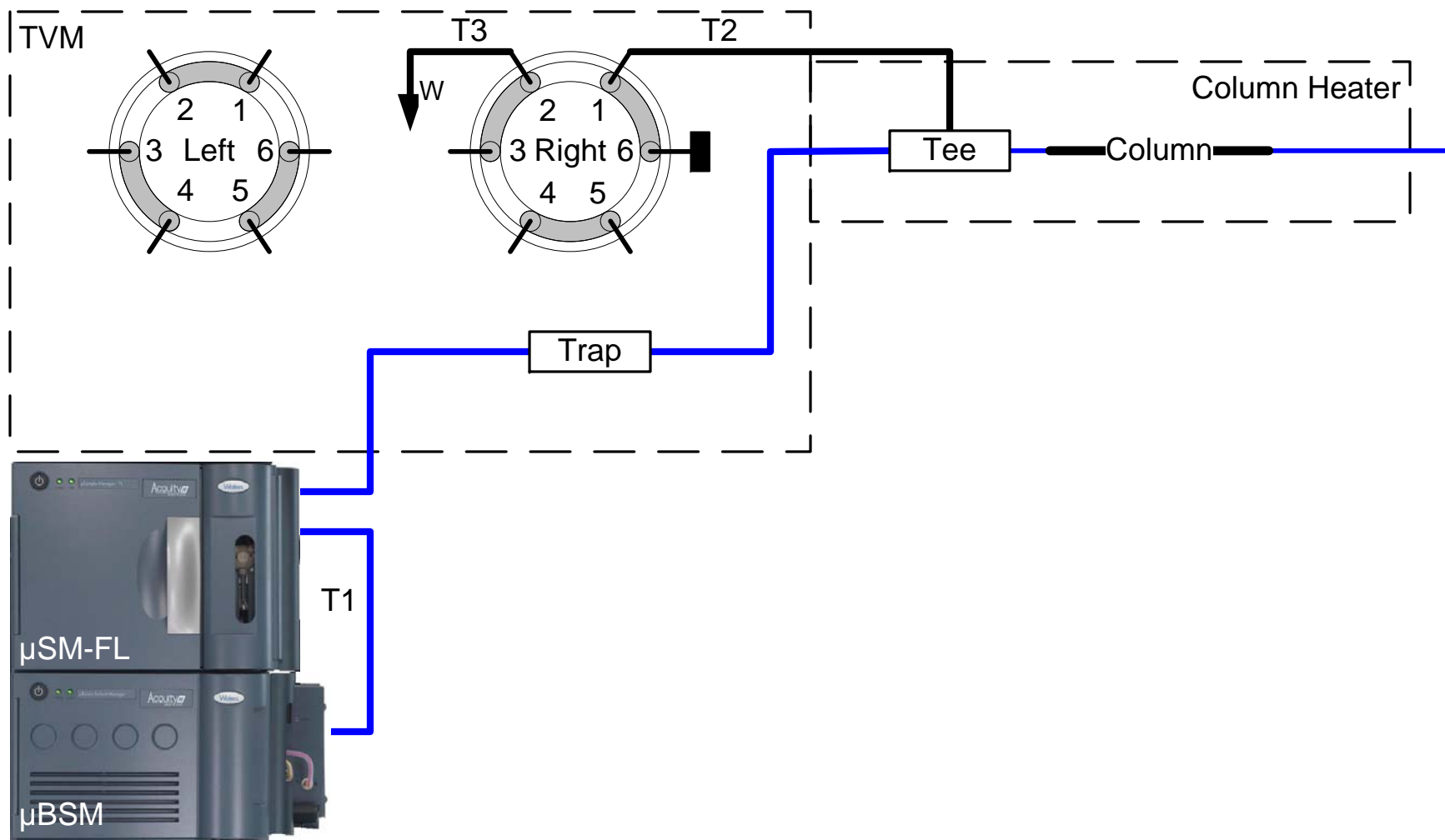


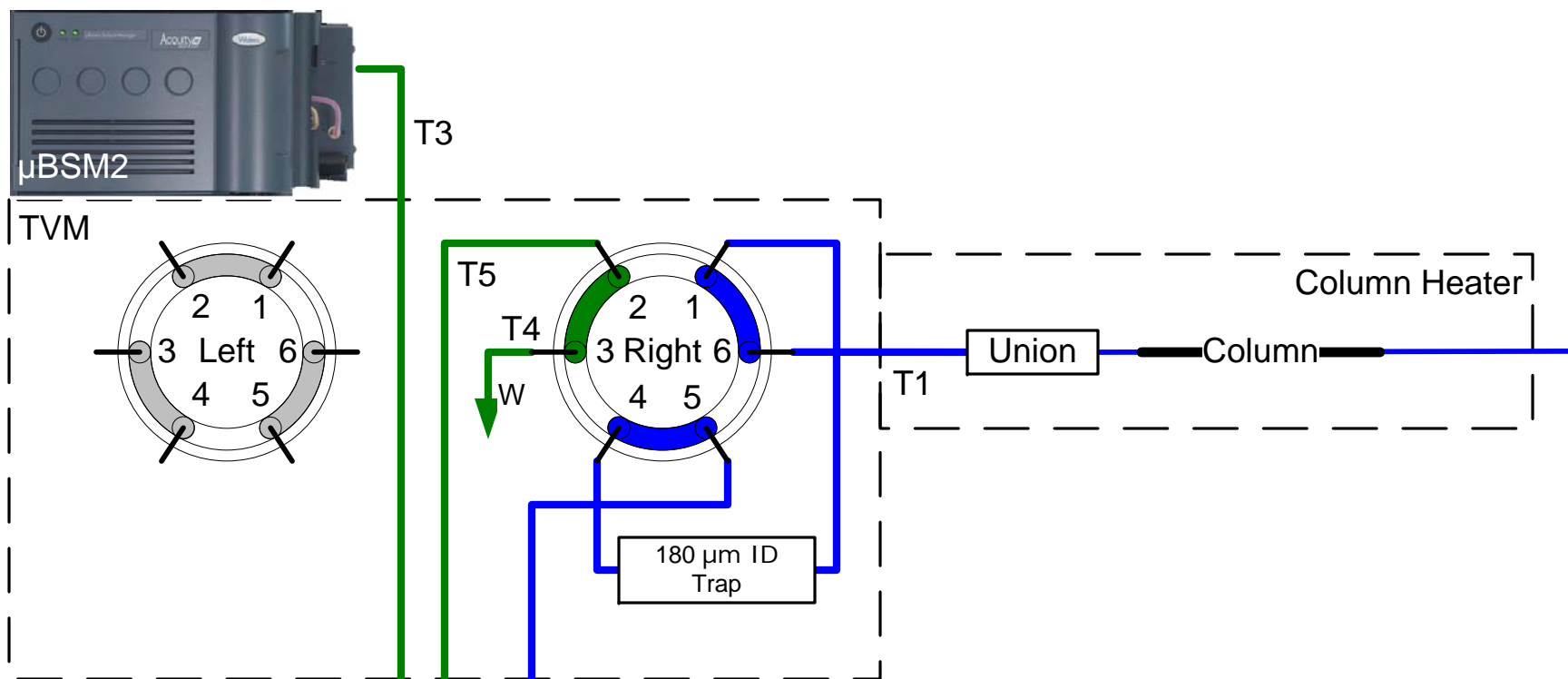
Fluidic Connections for 300um Scale

#	Length	ID	Part Number	Order Number
T1	20"	25 µm	430004966	700011466
T2	26"	40 µm	430004704	700011469
T3	30"	40 µm	430005073	700011516



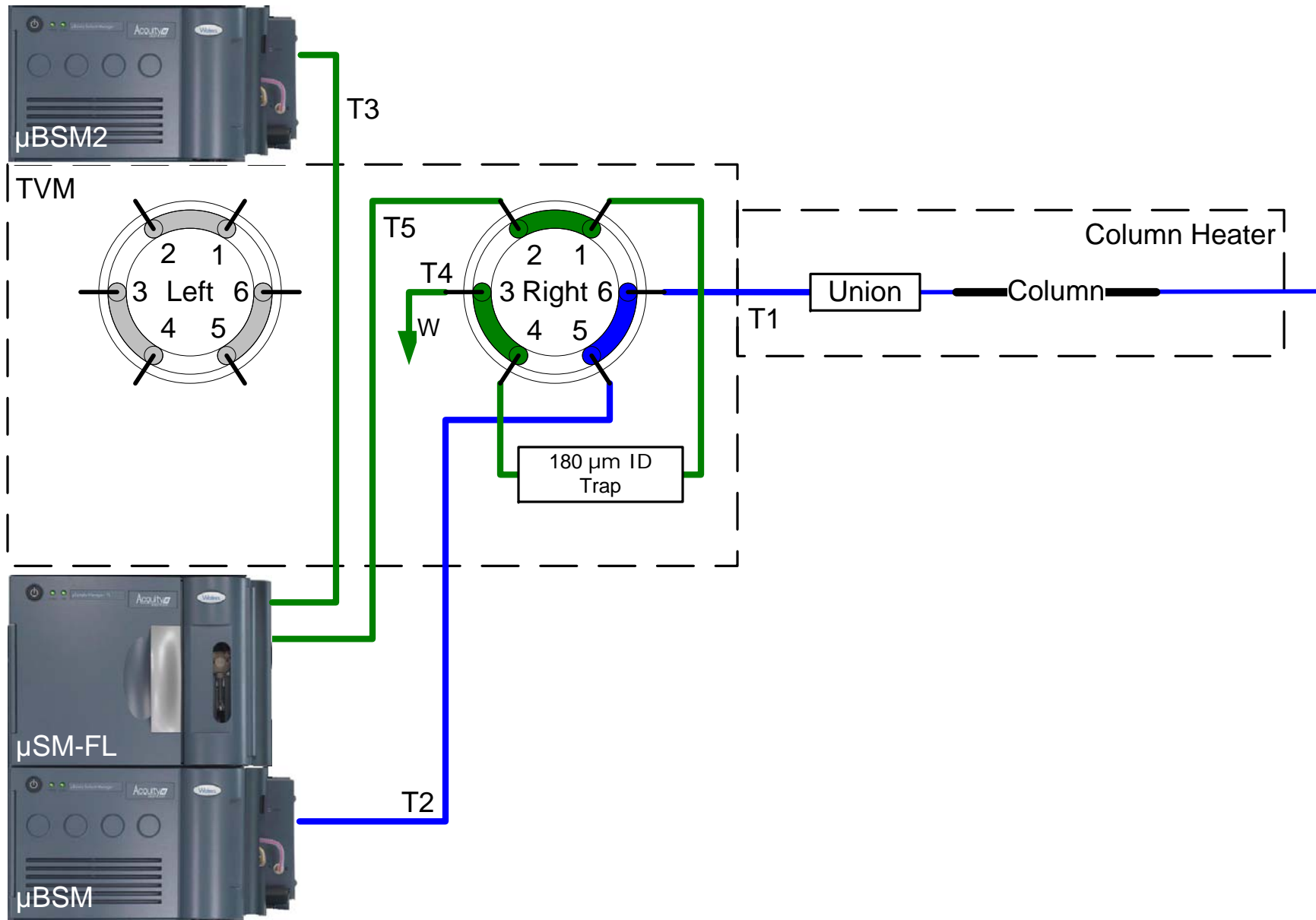


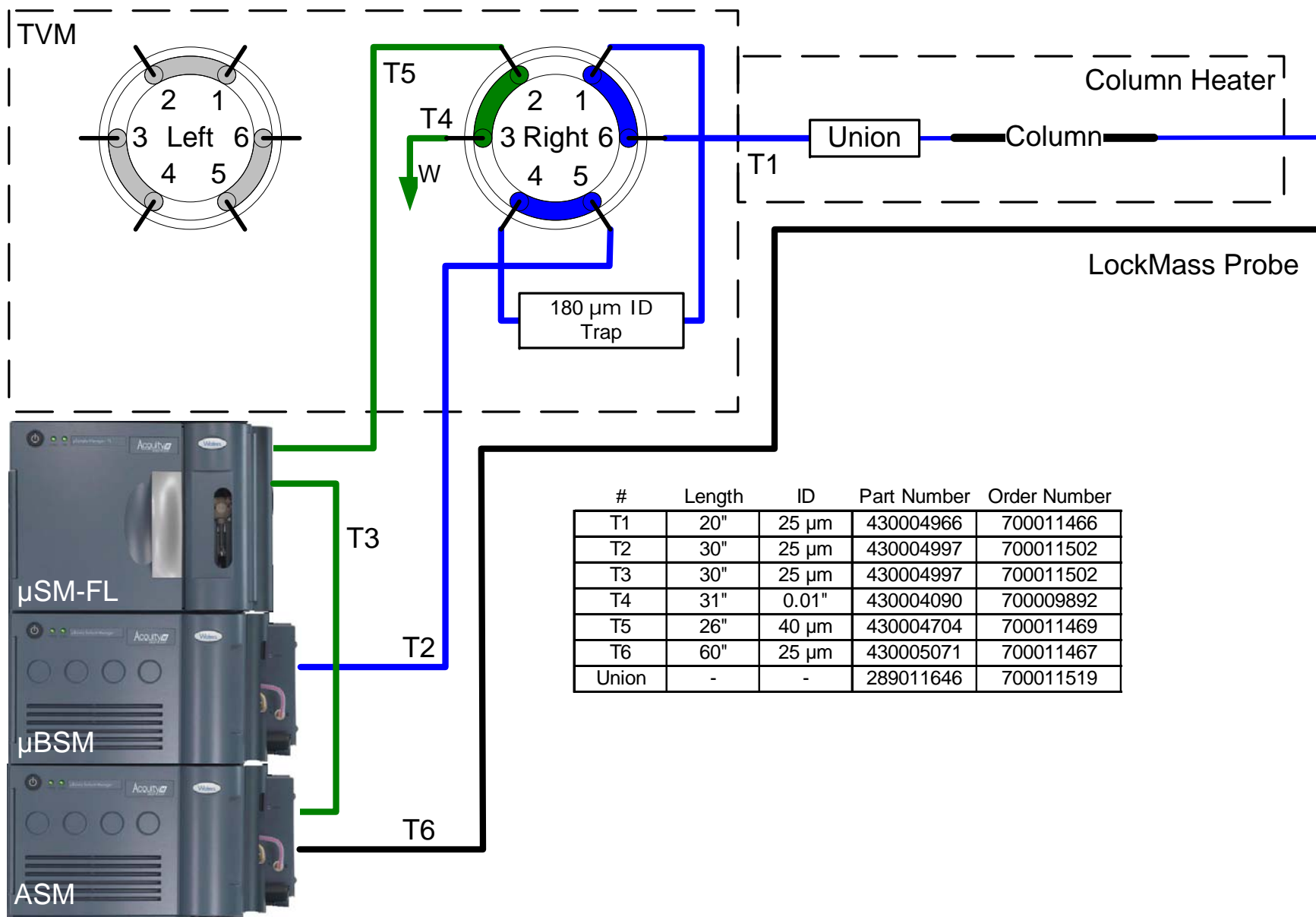


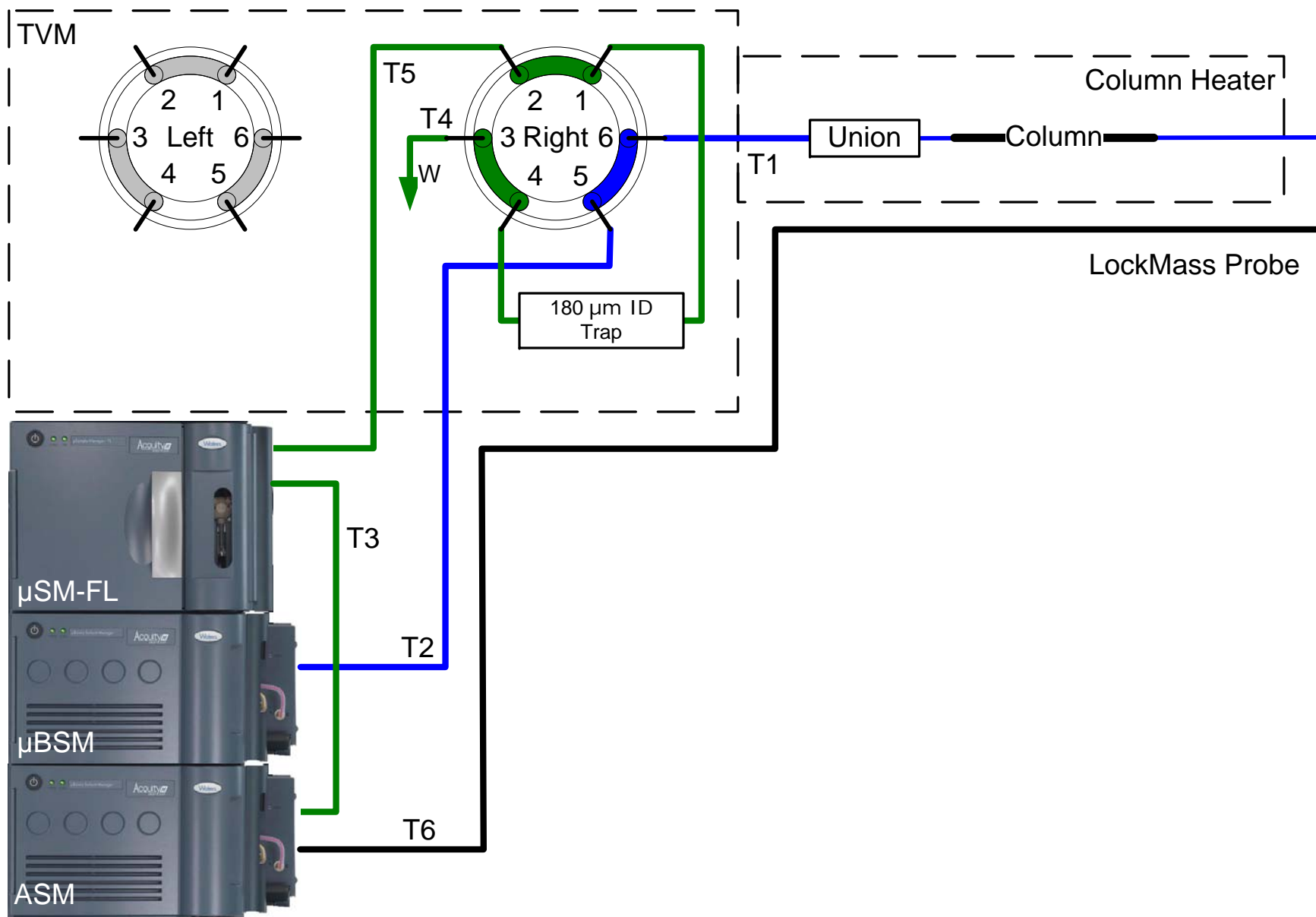


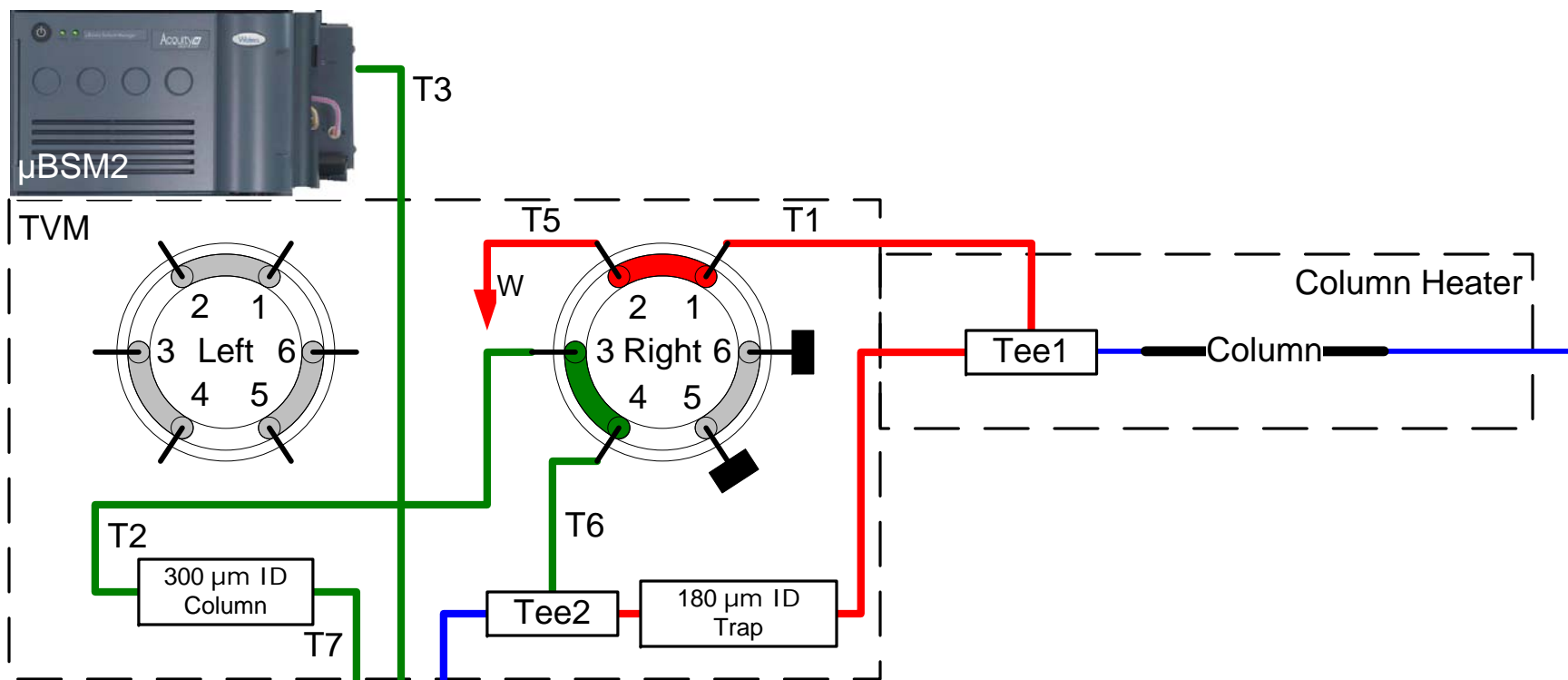
Fluidic Connections for 75, 100, and 150um Scale

#	Length	ID	Part Number	Order Number
T1	20"	25 μm	430004966	700011466
T2	30"	25 μm	430004997	700011502
T3	30"	25 μm	430004997	700011502
T4	31"	0.01"	430004090	700009892
T5	26"	40 μm	430004704	700011469
Union	-	-	289011646	700011519



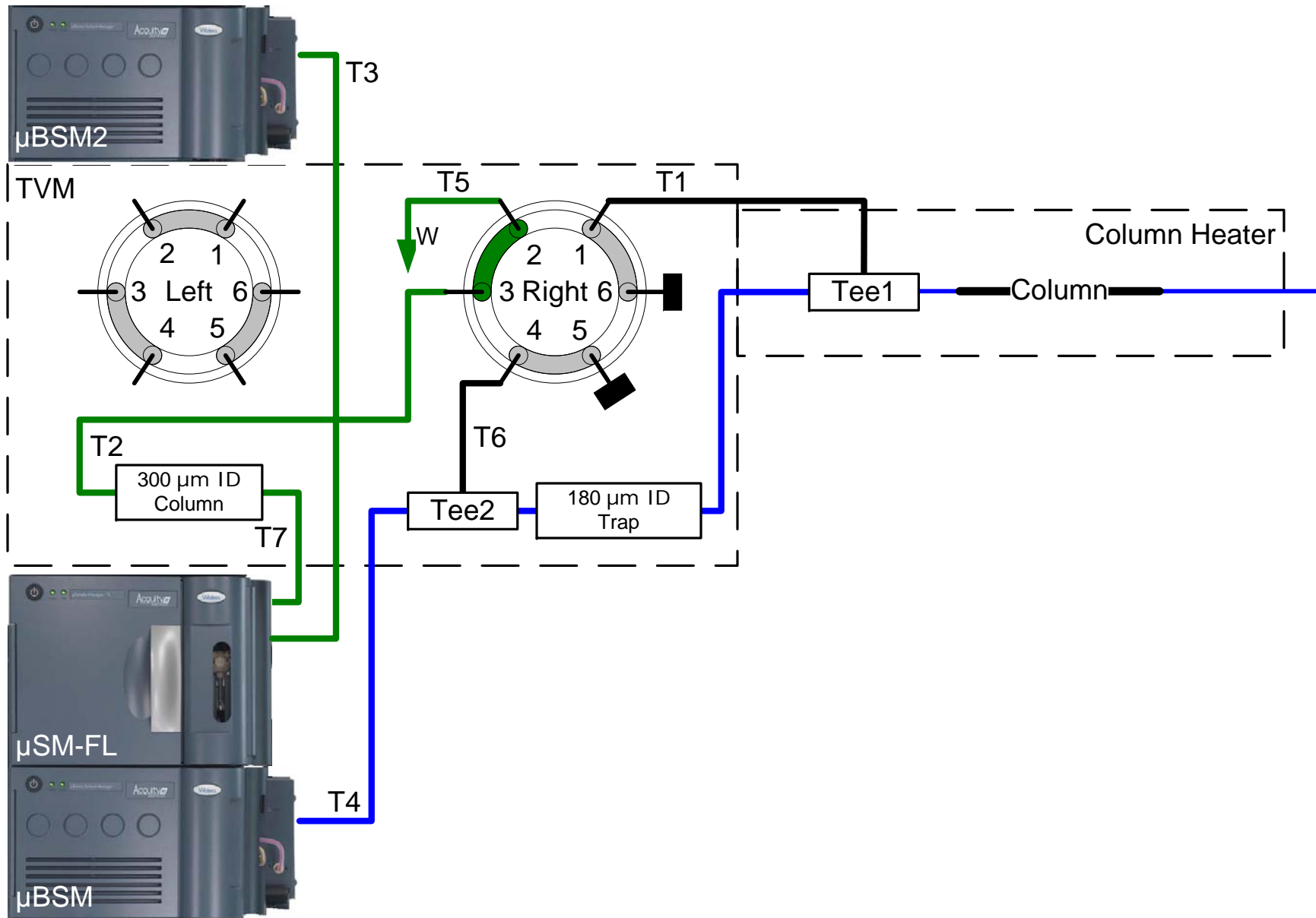


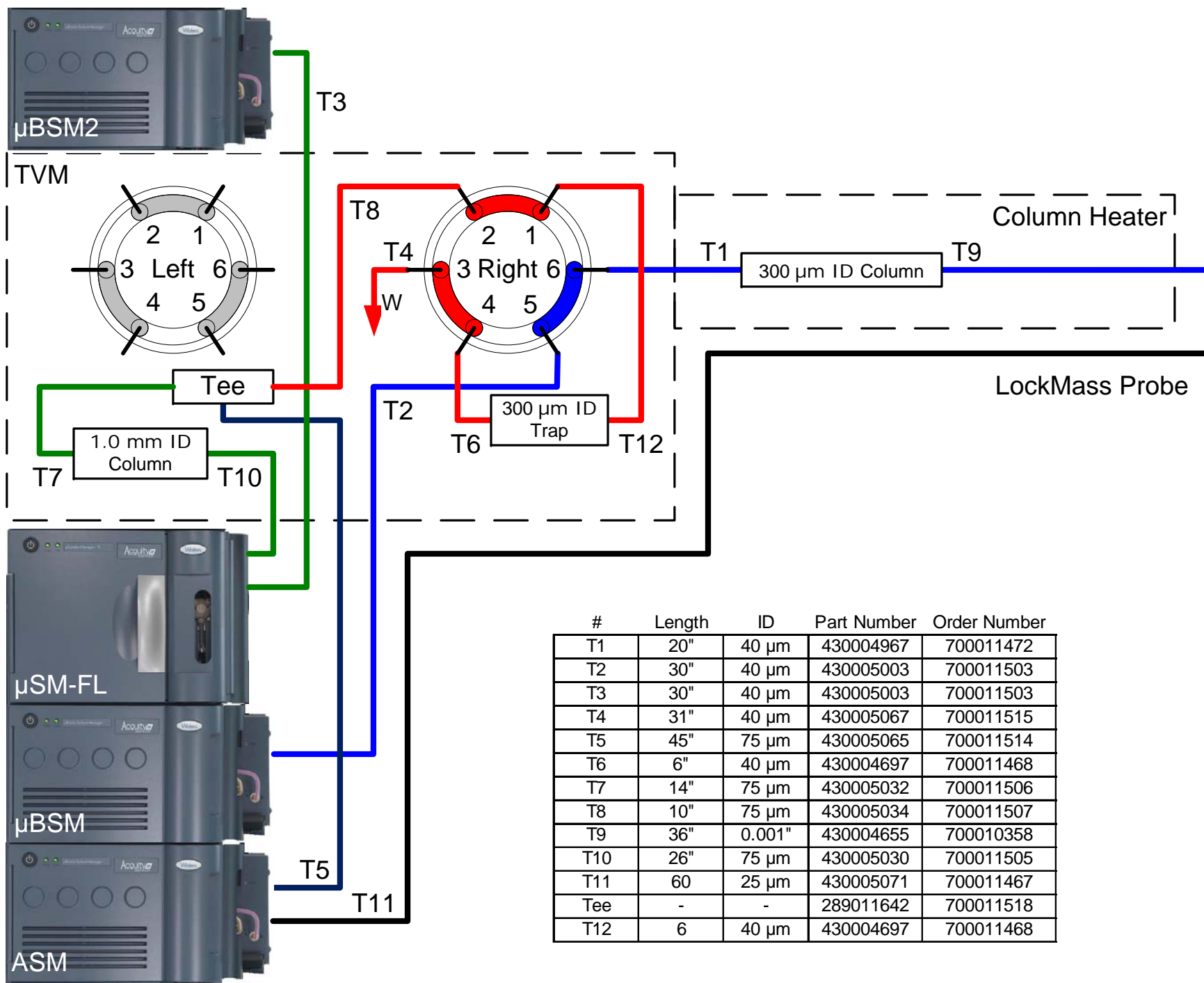


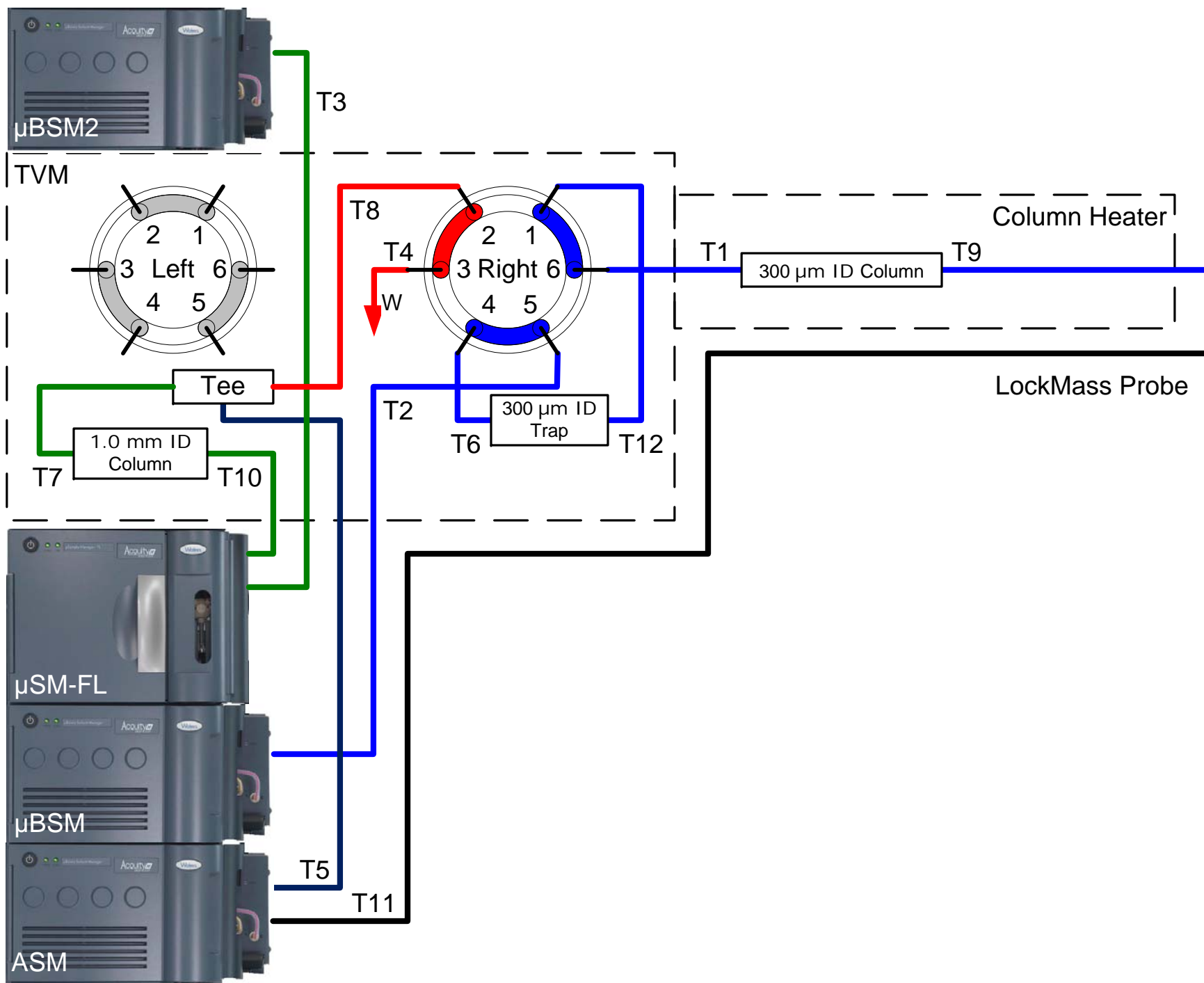


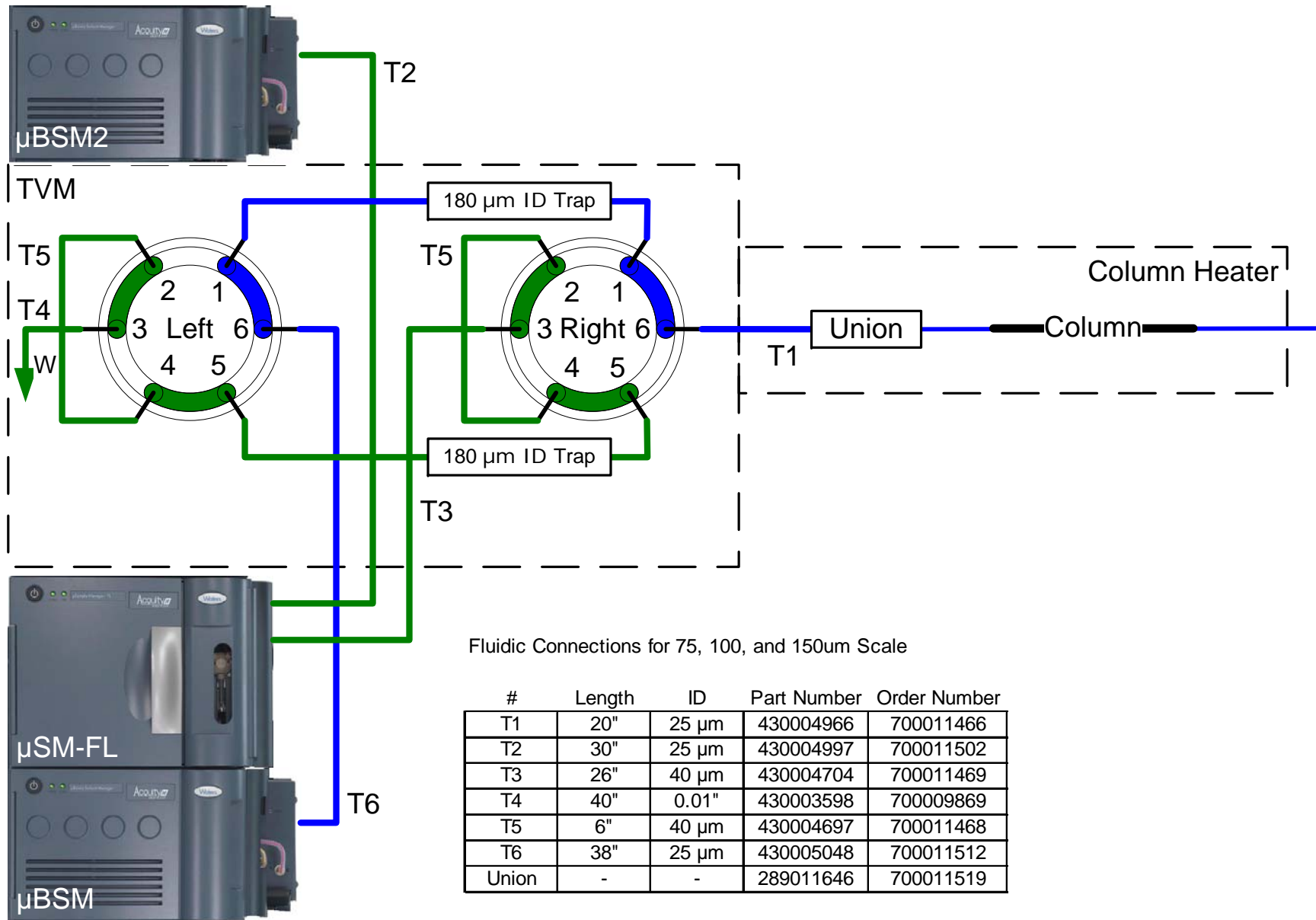
Fluidic Connections for 75, 100, and 150um Scale

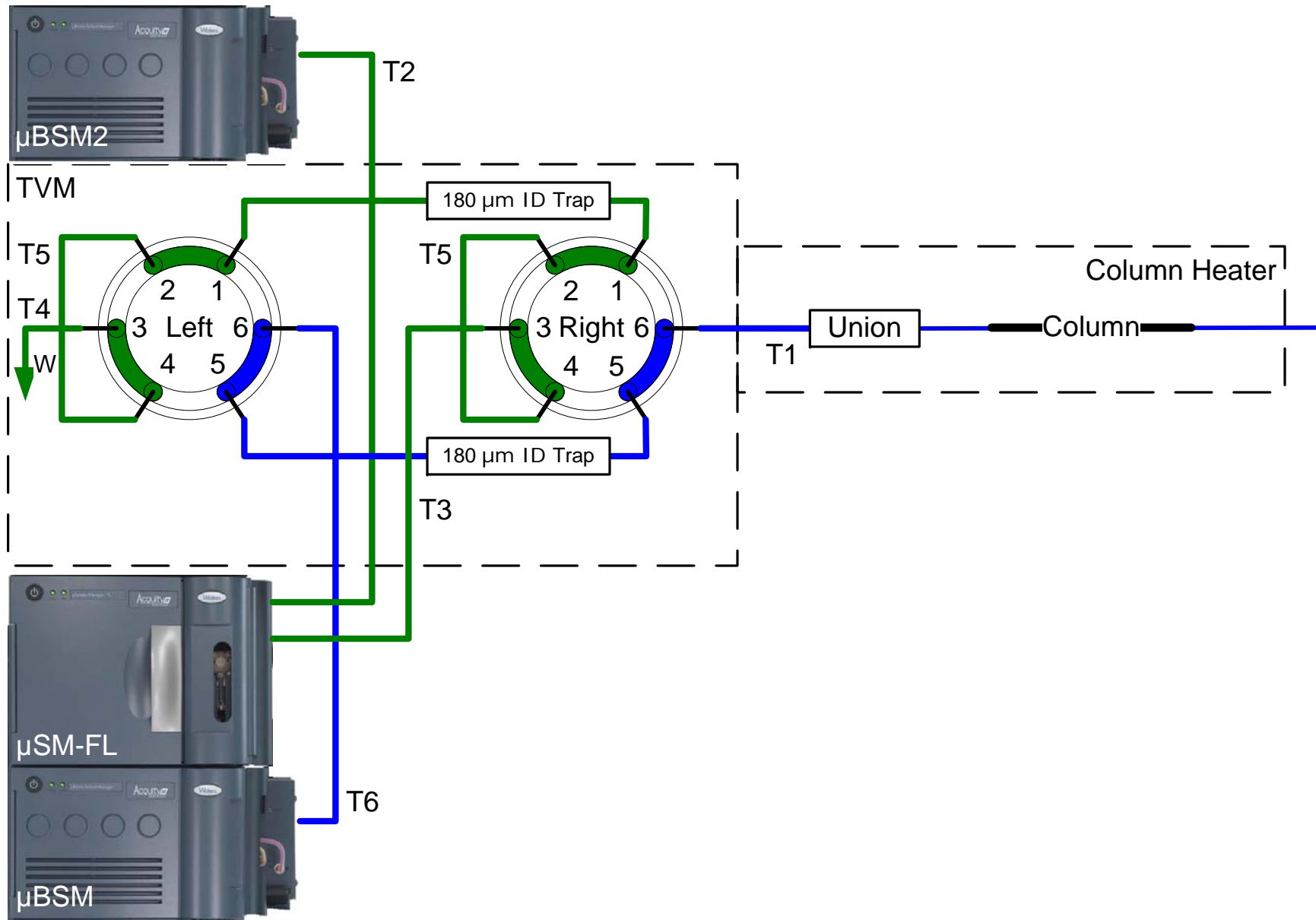
#	Length	ID	Part Number	Order Number
T1	20"	40 μm	430004967	700011472
T2	10"	25 μm	430005036	700011508
T3	30"	25 μm	430004997	700011502
T4	30"	25 μm	430004997	700011502
T5	31"	0.01"	430004090	700009892
T6	6"	40 μm	430004697	700011468
T7	20"	25 μm	430004966	700011466
Nano Tee 1	-	-	289011642	700011518
Nano Tee 2	-	-	289011642	700011518

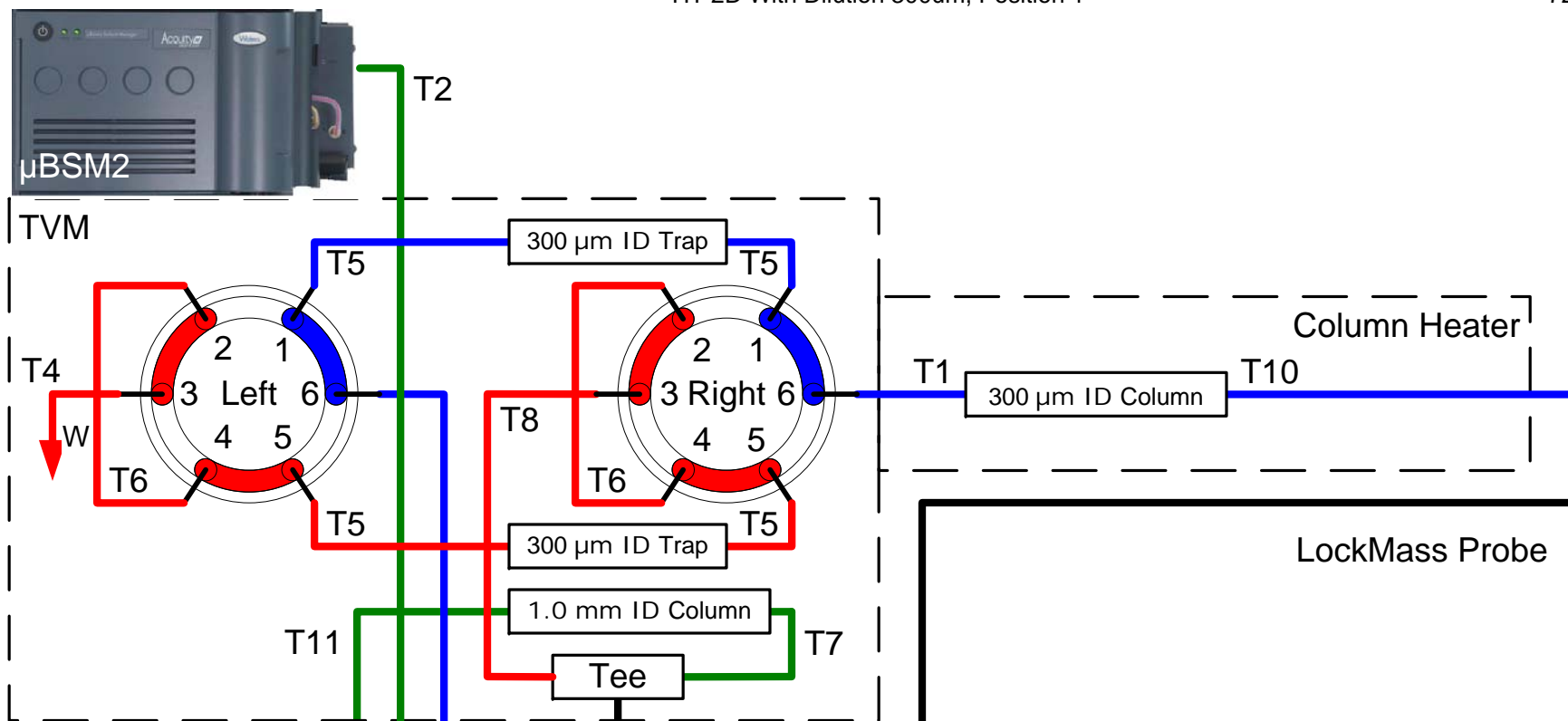






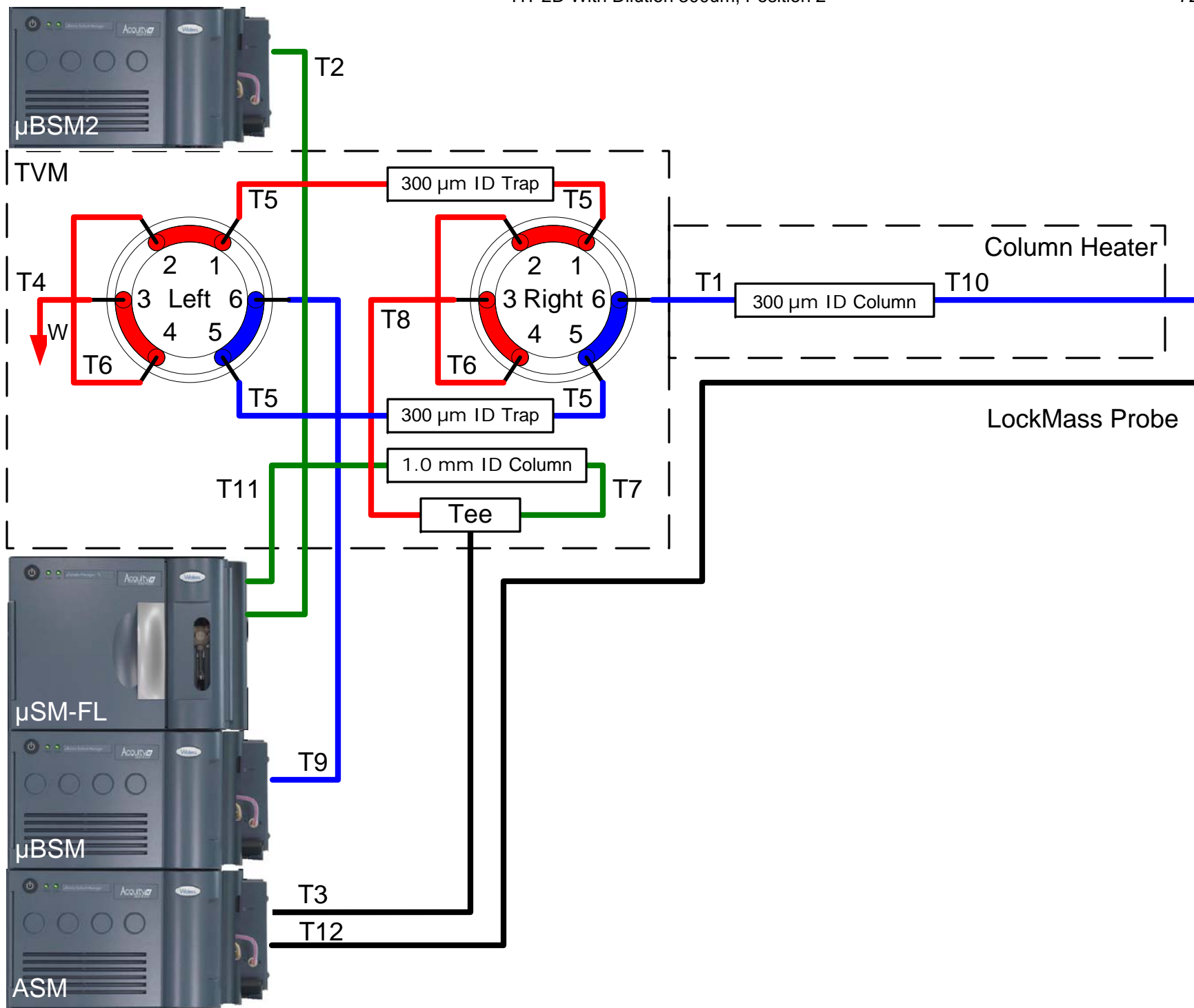


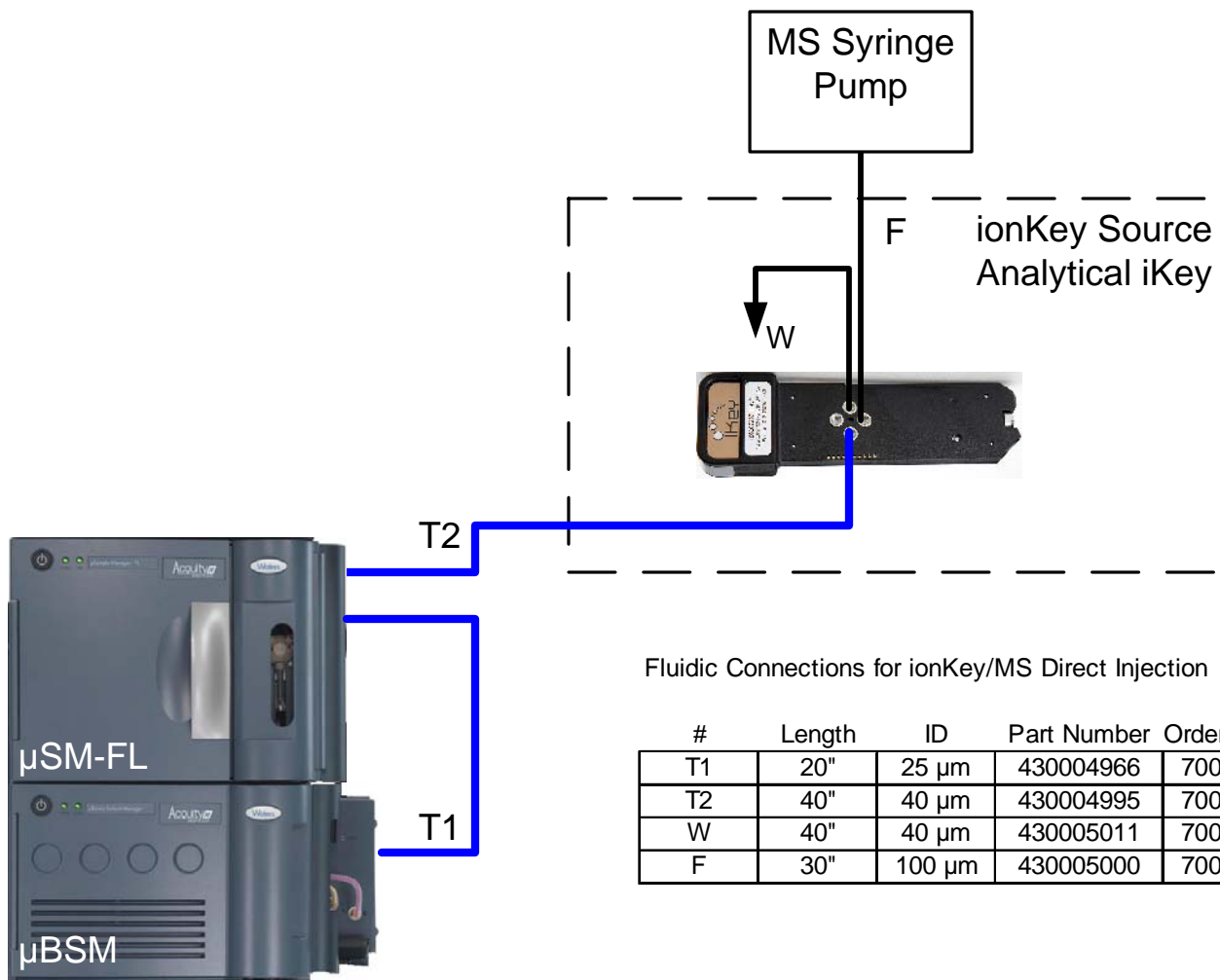




Fluidic Connections for 300um Scale

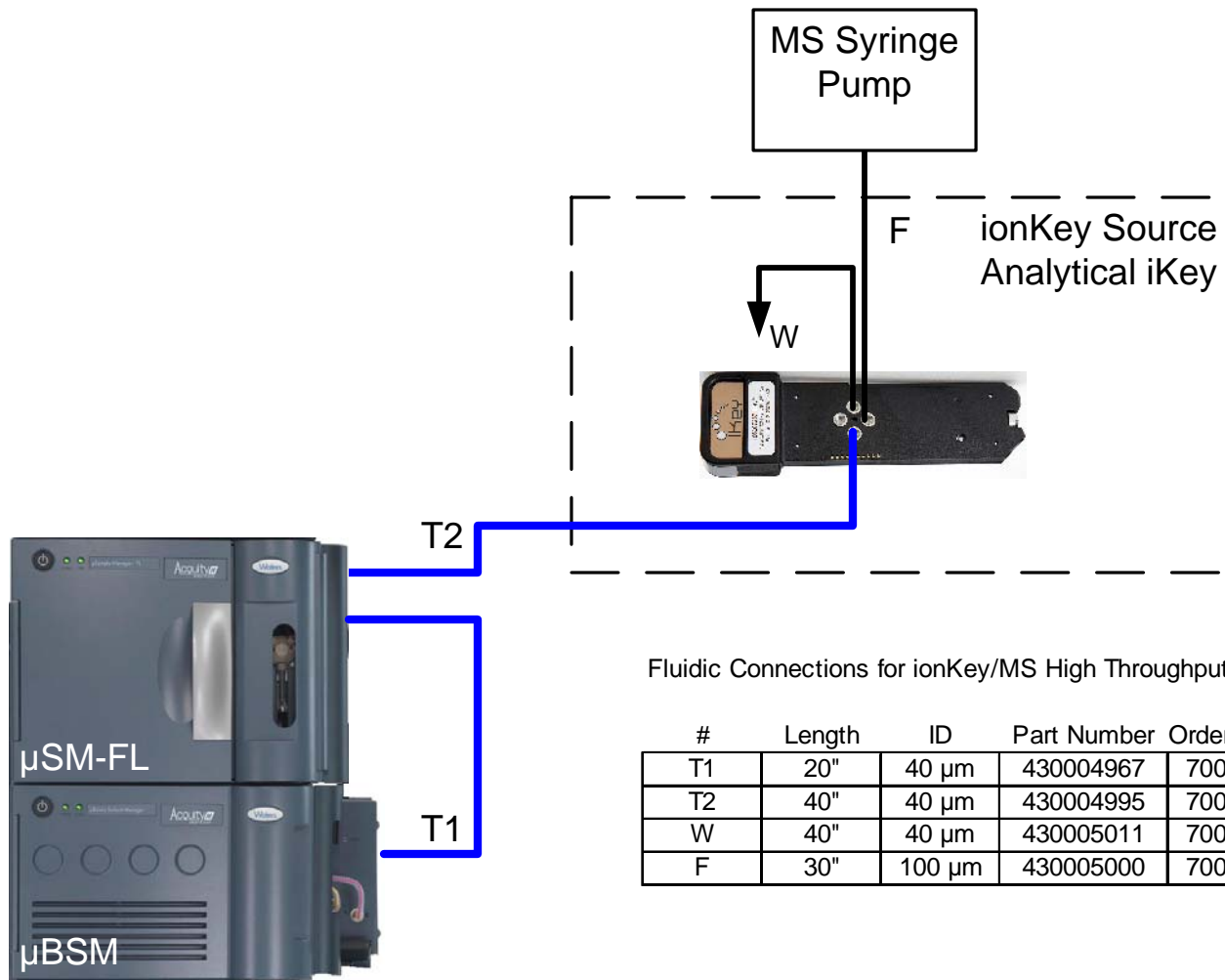
#	Length	ID	Part Number	Order Number
T1	20"	40 μm	430004967	700011472
T2	30"	40 μm	430005003	700011503
T3	45"	75 μm	430005065	700011514
T4	40"	0.01	430003598	700009869
T5	6"	40 μm	430004697	700011468
T6	6"	75 μm	430004968	700011501
T7	6"	75 μm	430004968	700011501
T8	6"	75 μm	430004968	700011501
T9	38"	40 μm	430005054	70001
T10	36"	0.001"	430004655	700010358
T11	20"	75 μm	430004962	700011500
T12	60"	25 μm	430005071	700011467
Tee	-	-	289011642	700011518





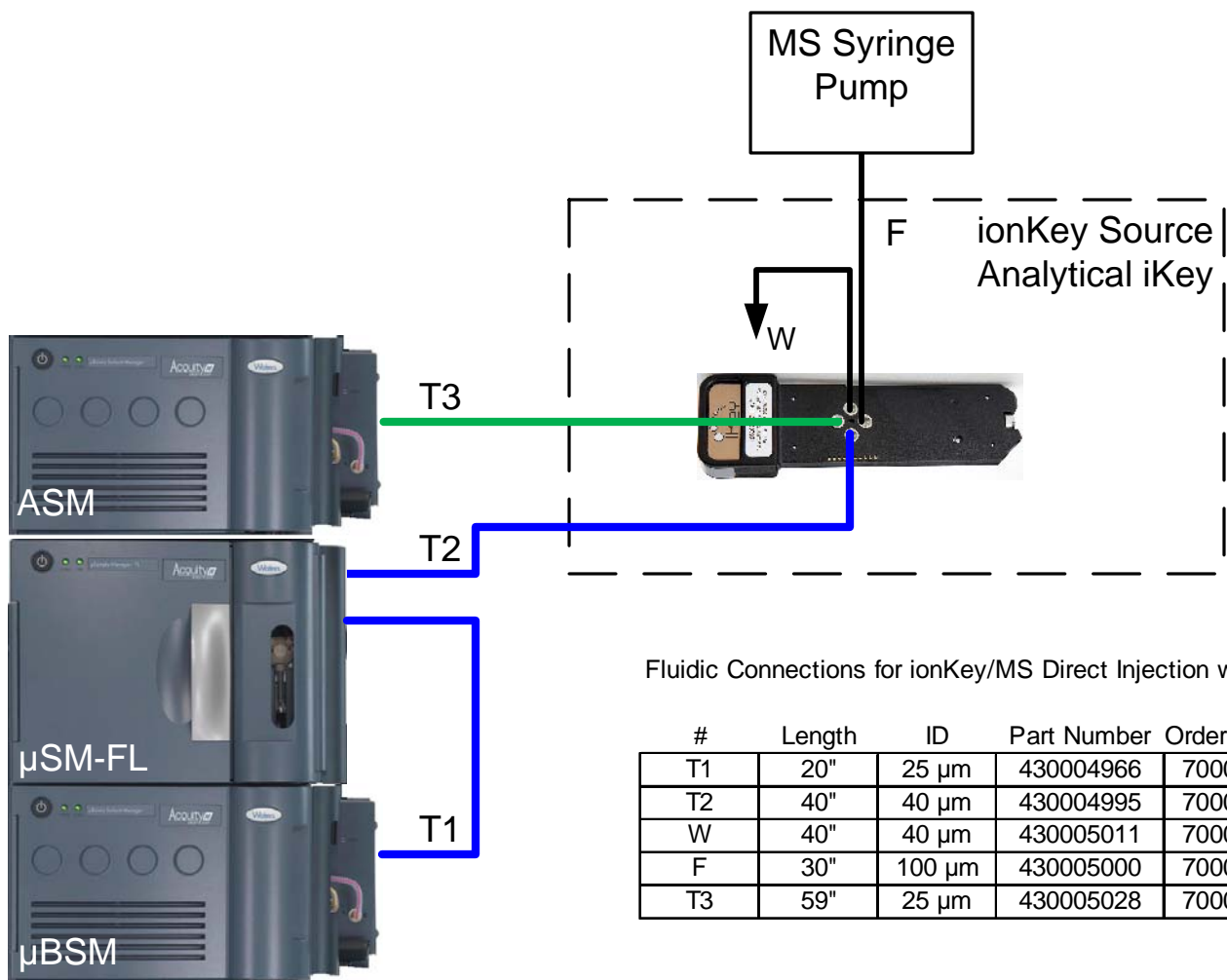
Fluidic Connections for ionKey/MS Direct Injection

#	Length	ID	Part Number	Order Number
T1	20"	25 μm	430004966	700011466
T2	40"	40 μm	430004995	700011463
W	40"	40 μm	430005011	700011465
F	30"	100 μm	430005000	700011464



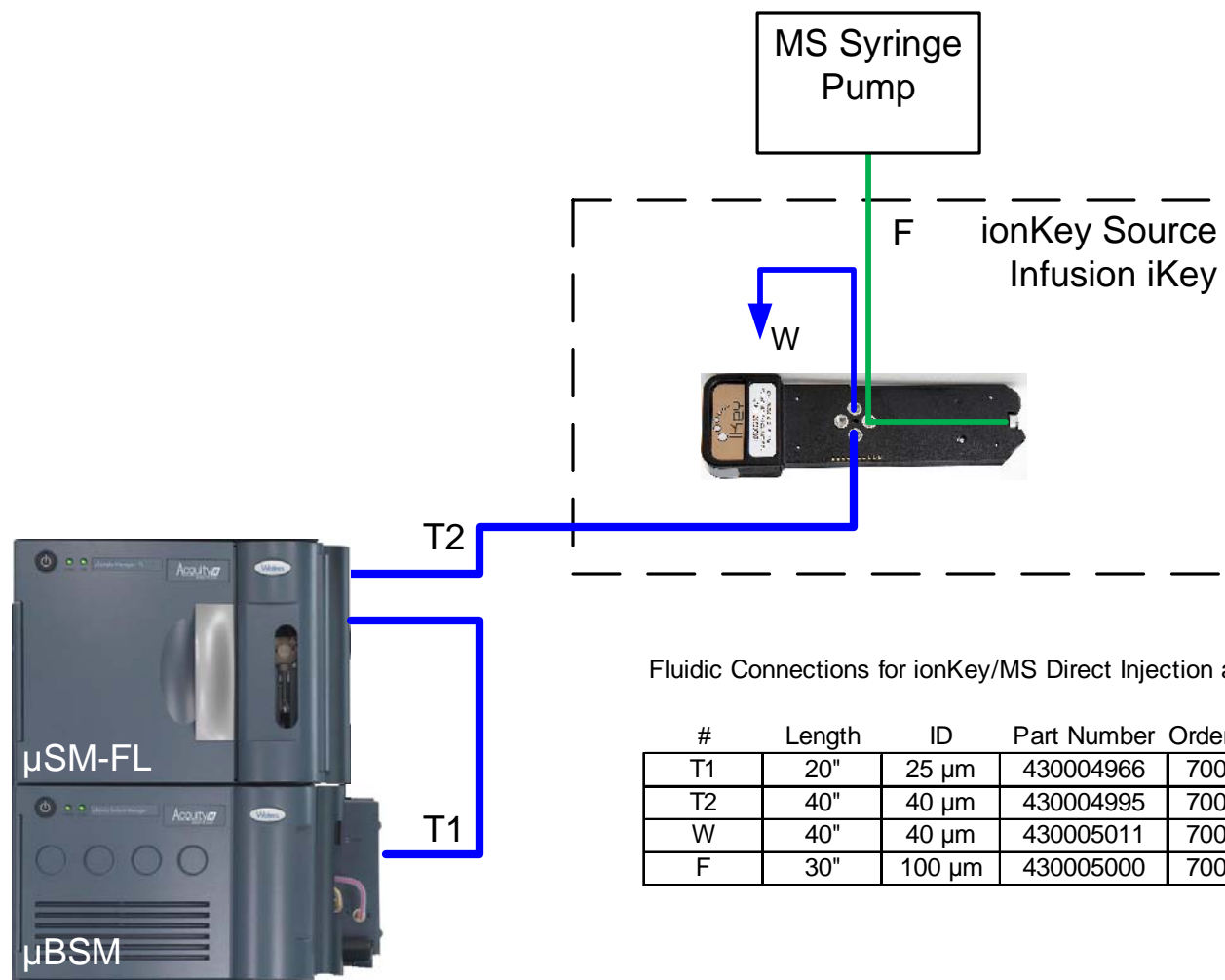
Fluidic Connections for ionKey/MS High Throughput using a 300 μm x 50 mm iKey

#	Length	ID	Part Number	Order Number
T1	20"	40 μm	430004967	700011472
T2	40"	40 μm	430004995	700011463
W	40"	40 μm	430005011	700011465
F	30"	100 μm	430005000	700011464



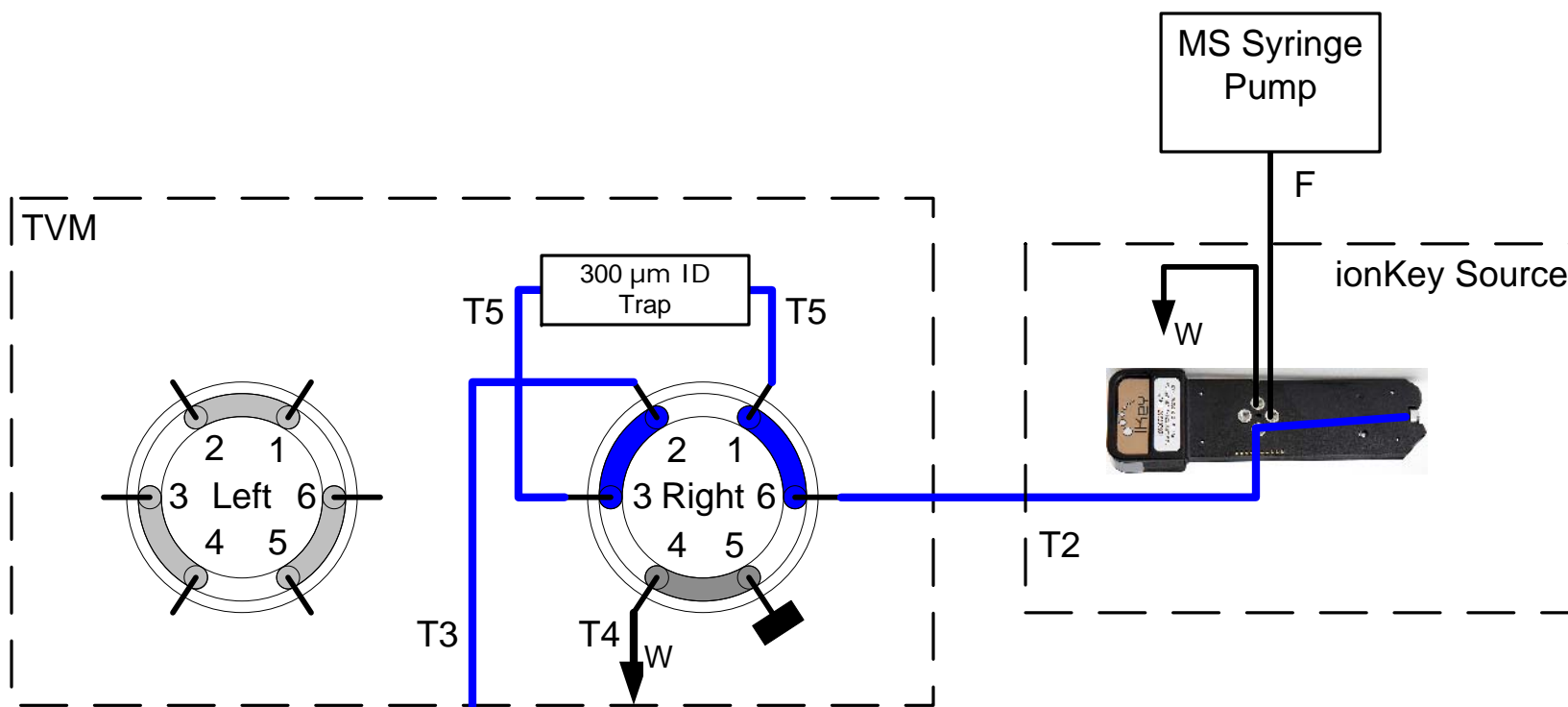
Fluidic Connections for ionKey/MS Direct Injection with PCA

#	Length	ID	Part Number	Order Number
T1	20"	25 μm	430004966	700011466
T2	40"	40 μm	430004995	700011463
W	40"	40 μm	430005011	700011465
F	30"	100 μm	430005000	700011464
T3	59"	25 μm	430005028	700011462



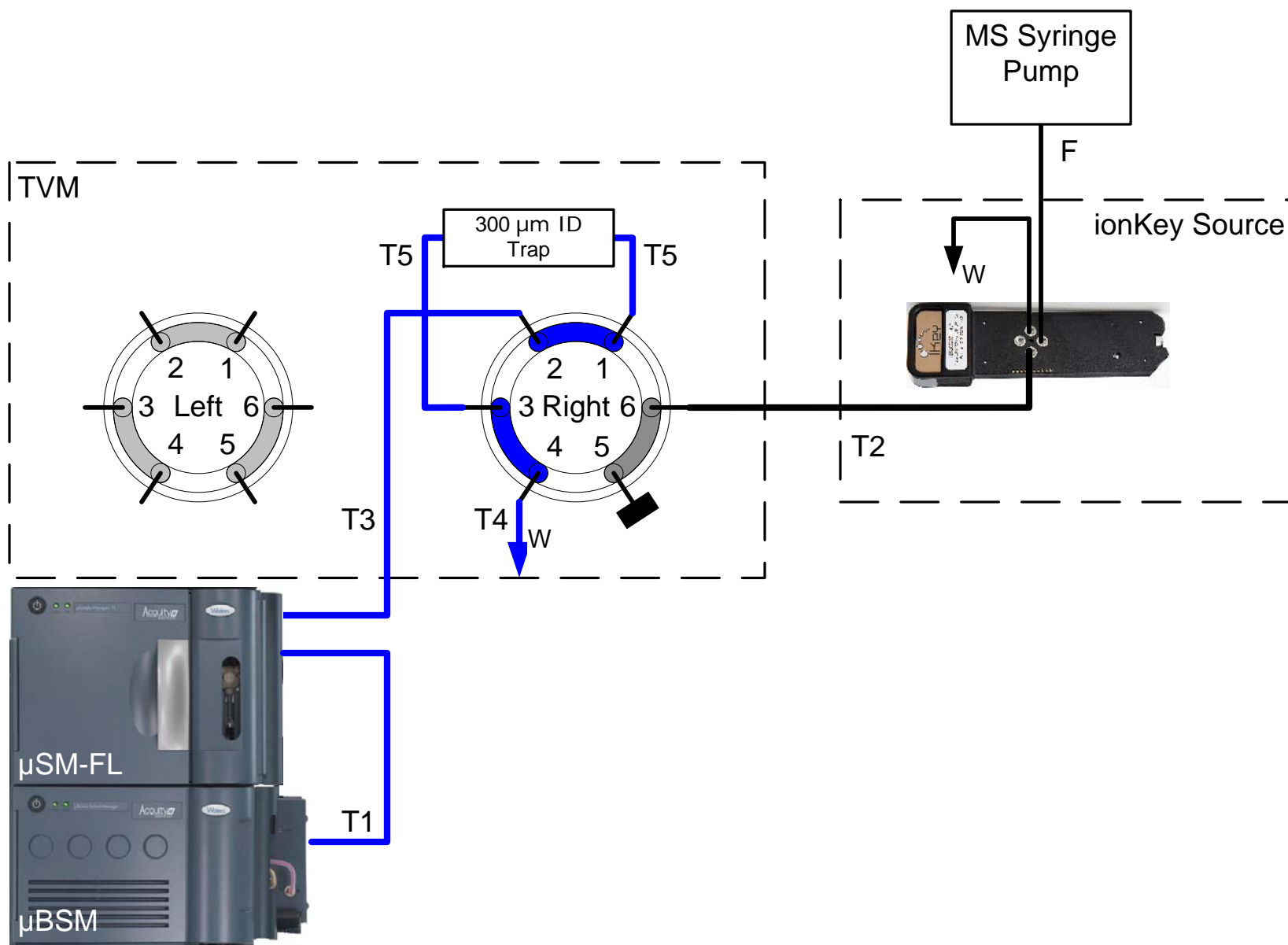
Fluidic Connections for ionKey/MS Direct Injection and Infusion

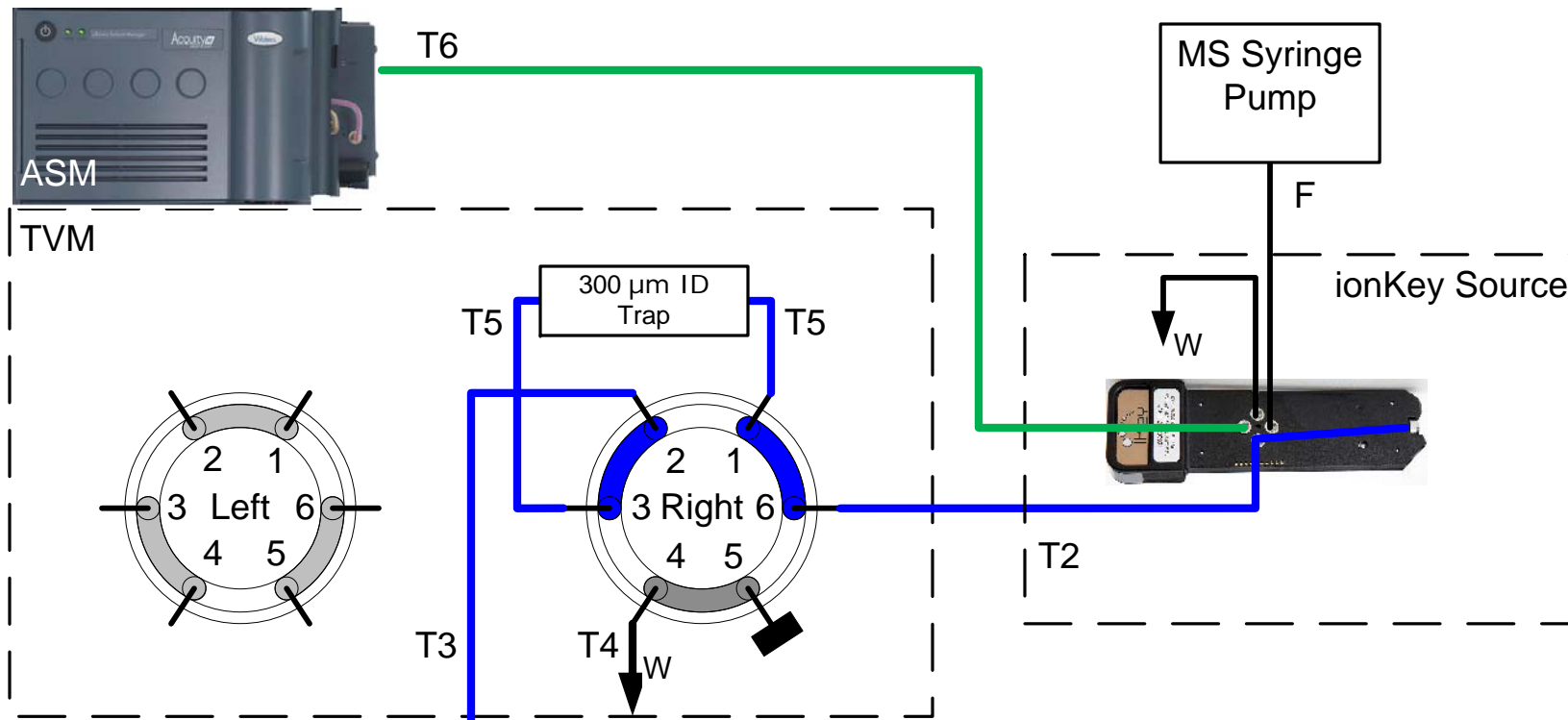
#	Length	ID	Part Number	Order Number
T1	20"	25 μm	430004966	700011466
T2	40"	40 μm	430004995	700011463
W	40"	40 μm	430005011	700011465
F	30"	100 μm	430005000	700011464



Fluidic Connections for ionKey/MS with Single Pump Trapping

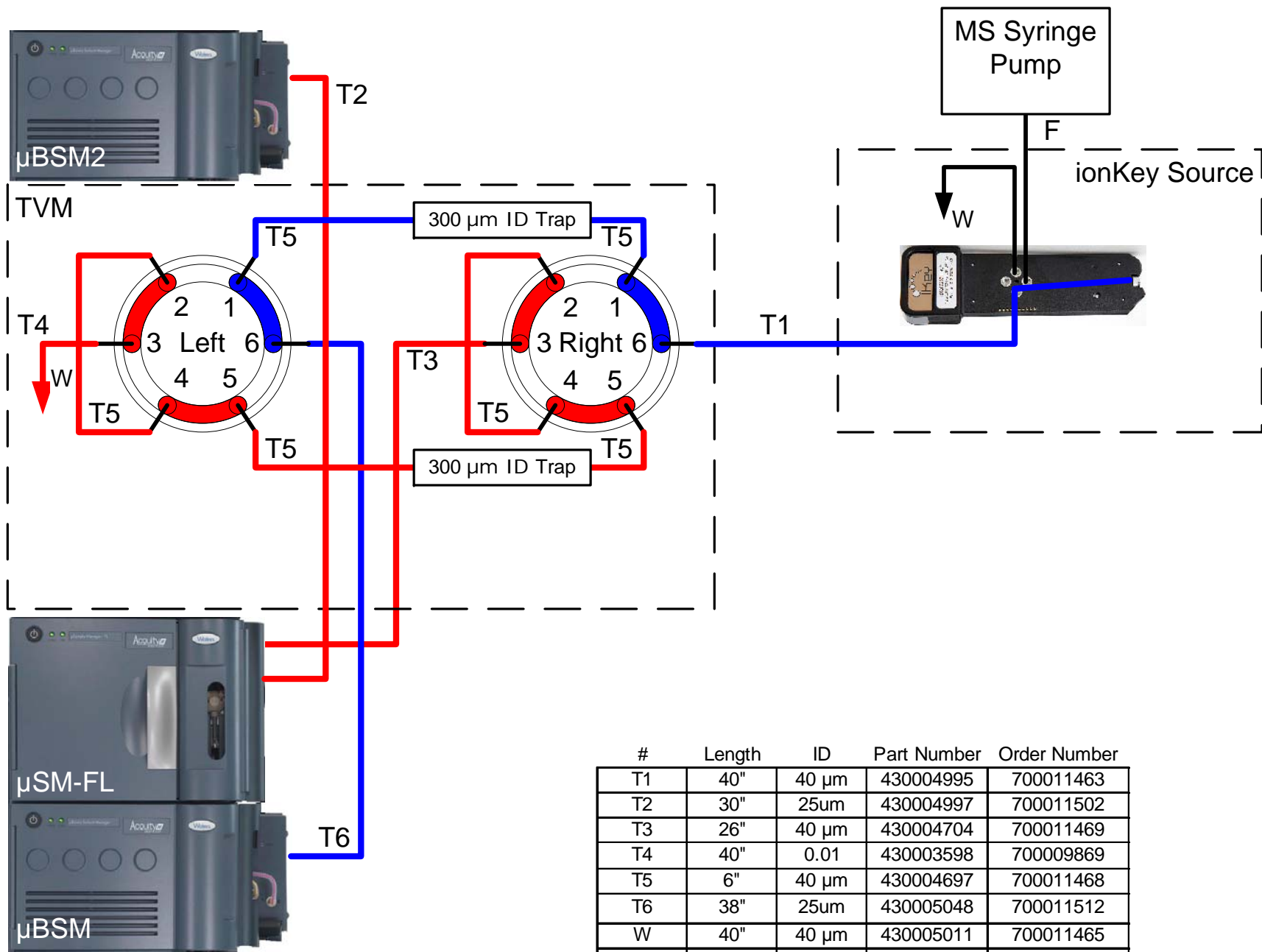
#	Length	ID	Part Number	Order Number
T1	20"	25 µm	430004966	700011466
T2	40"	40 µm	430004995	700011463
T3	26"	40 µm	430004704	700011469
T4	31"	0.01"	430004090	700009892
T5	6"	40 µm	430004697	700011468
W	40"	40 µm	430005011	700011465
F	30"	100 µm	430005000	700011464



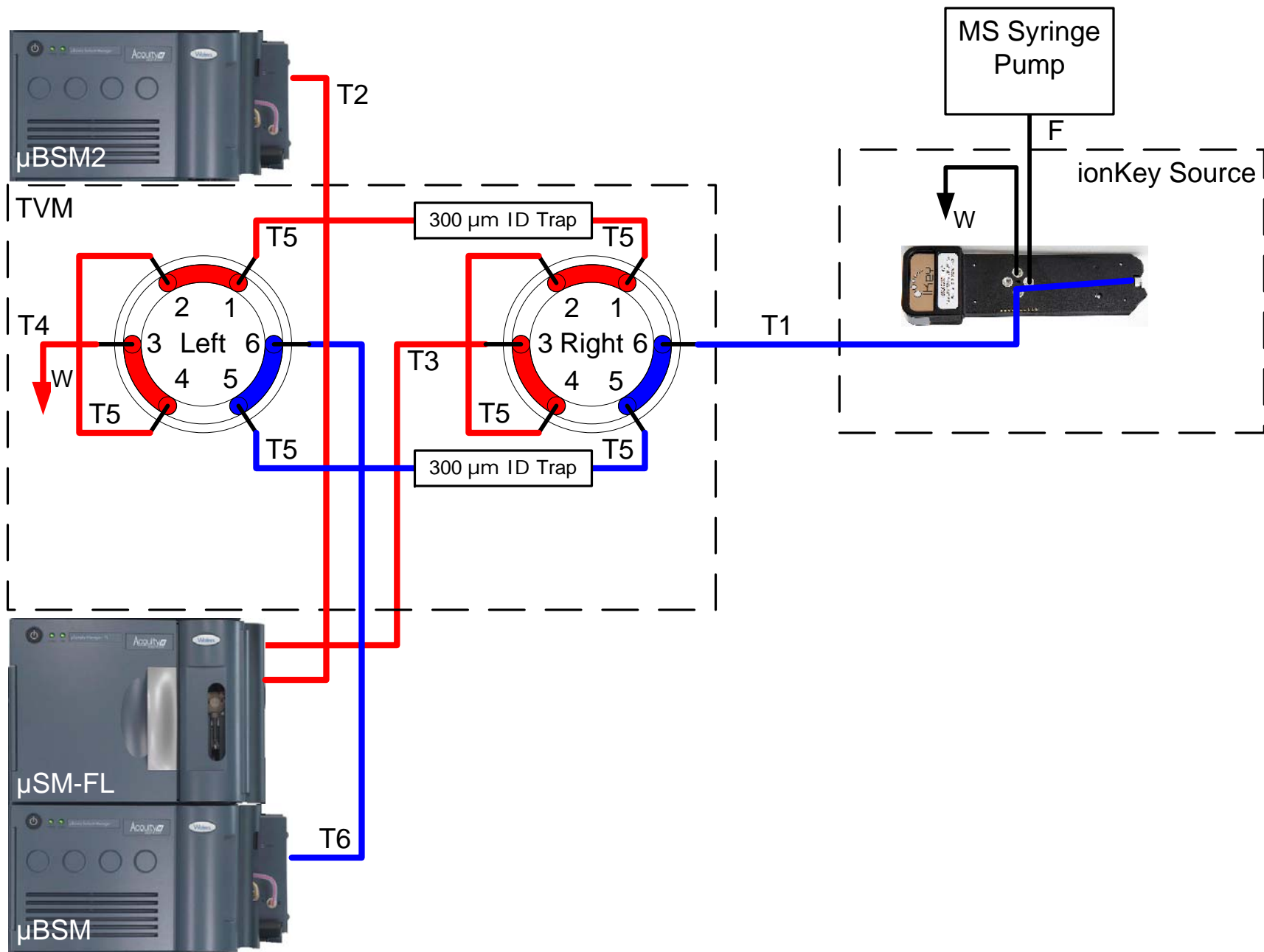


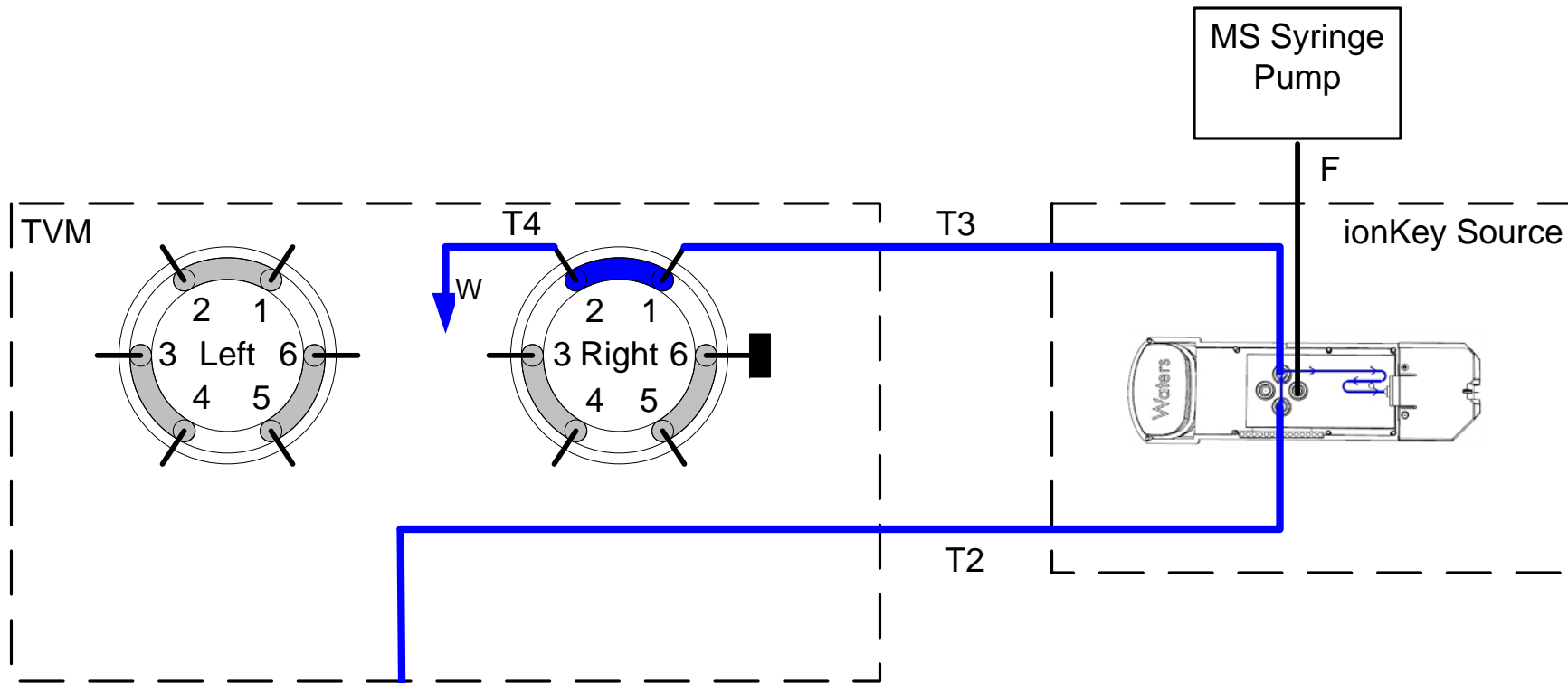
Fluidic Connections for ionKey/MS with Single Pump Trapping and PCA

#	Length	ID	Part Number	Order Number
T1	20"	25 μm	430004966	700011466
T2	40"	40 μm	430004995	700011463
T3	26"	40 μm	430004704	700011469
T4	31"	0.01"	430004090	700009892
T5	6"	40 μm	430004697	700011468
W	40"	40 μm	430005011	700011465
F	30"	100 μm	430005000	700011464
T6	59"	25 μm	430005028	700011462

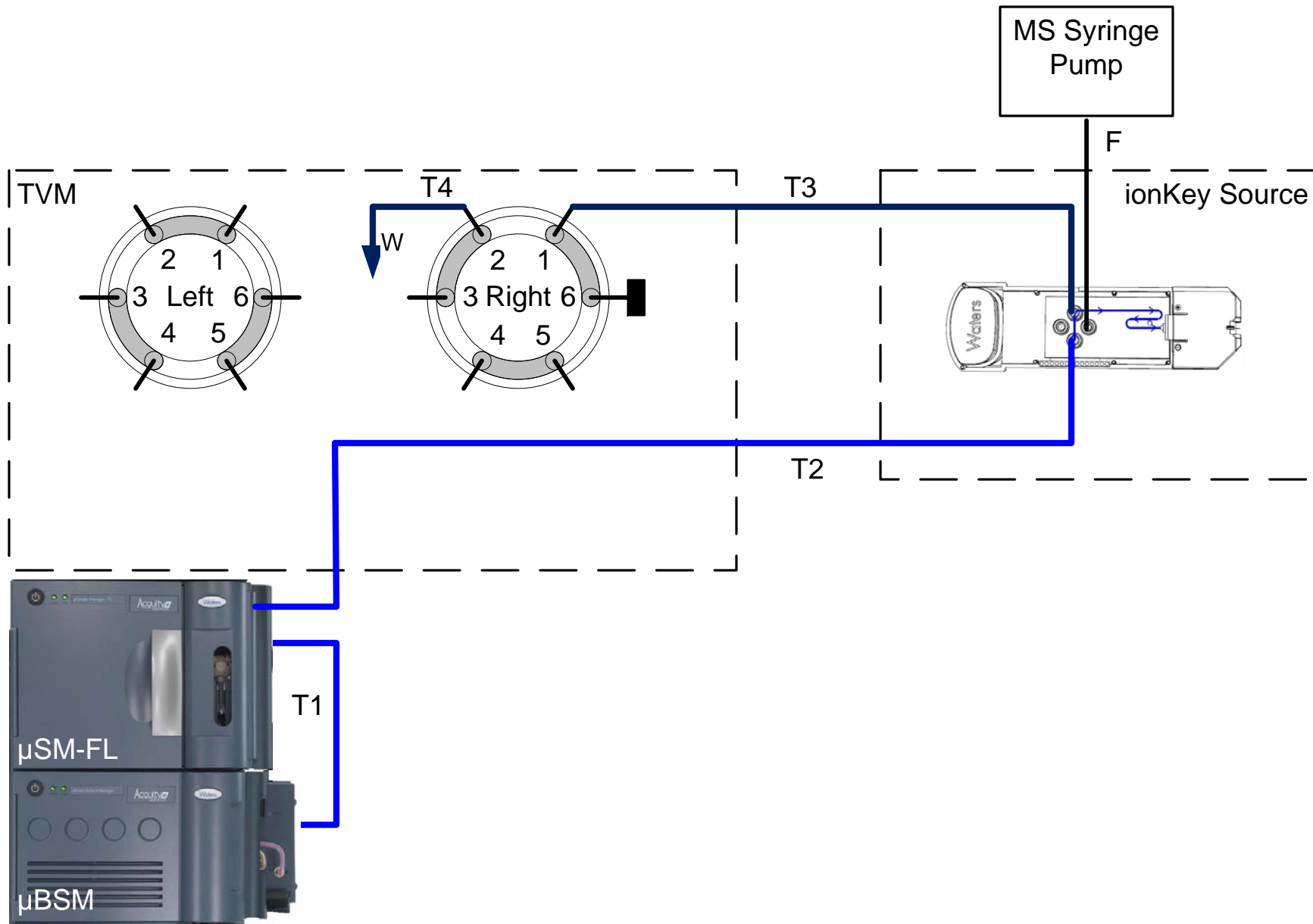


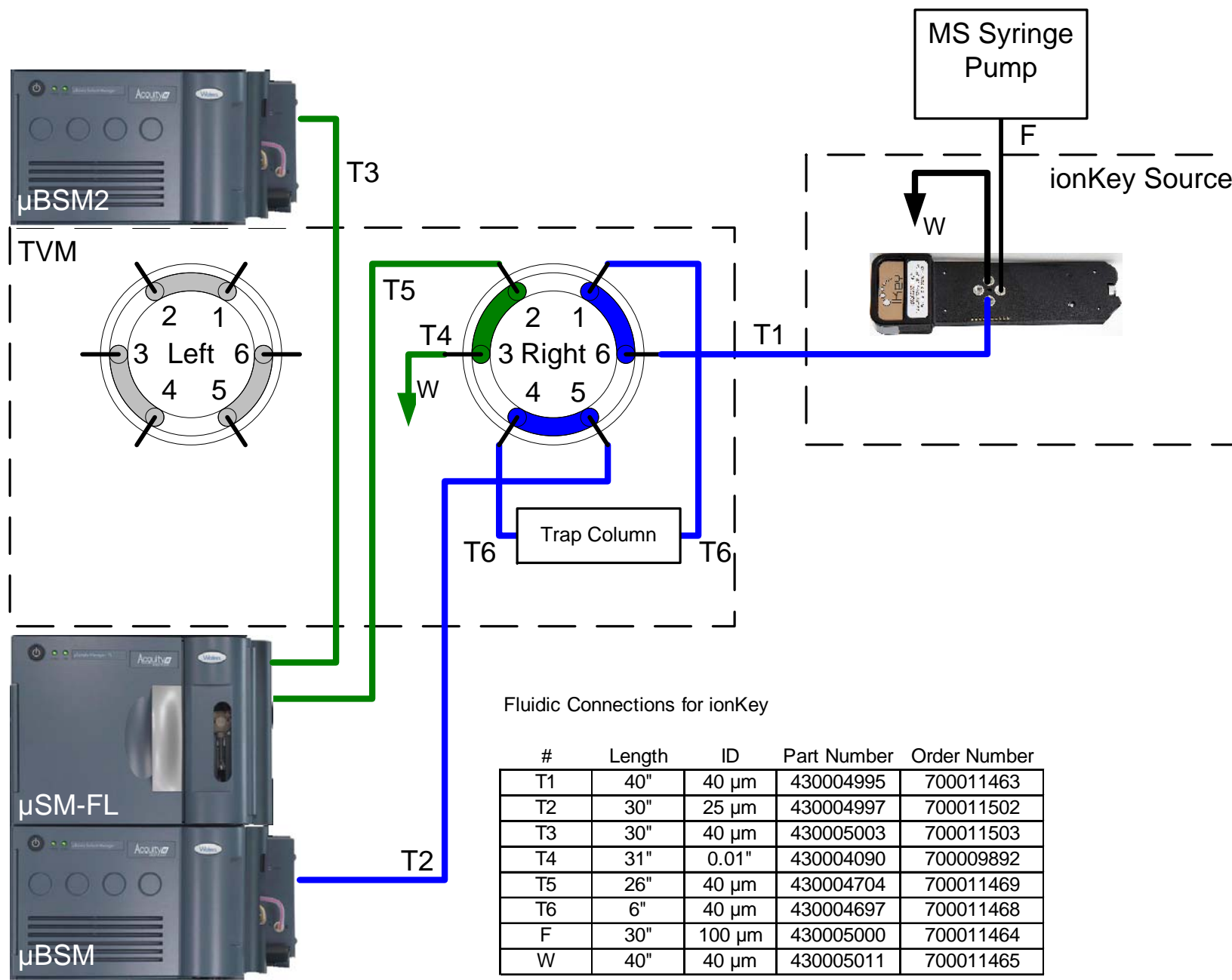
#	Length	ID	Part Number	Order Number
T1	40"	40 µm	430004995	700011463
T2	30"	25µm	430004997	700011502
T3	26"	40 µm	430004704	700011469
T4	40"	0.01	430003598	700009869
T5	6"	40 µm	430004697	700011468
T6	38"	25µm	430005048	700011512
W	40"	40 µm	430005011	700011465
F	30"	100 µm	430005000	700011464





#	Length	ID	Part Number	Order Number
T1	20"	25 μm	430004966	700011466
T2	40"	40 μm	430004995	700011463
T3	40"	40 μm	430004995	700011463
T4	31"	0.01"	430004090	700009892
F	30"	100 μm	430005000	700011464

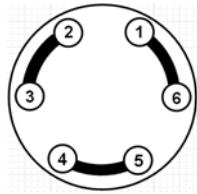




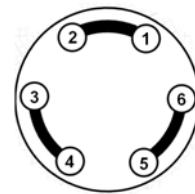
Configuration	Required Tubing Kits								And Required Tubes										
	205001678	205001679	200000455	200000456	205001680	205001681	205001657	205001658	205001682	700009892	700011468	700011502	700011503	700011469	700009869	700011501	430005054	700011462	
Direct Injection, 75 µm						1													
Single Pump Trapping, 75 µm						1													
Dual Pump Trapping w/µBSM, 75 µm						1													
Dual Pump Trapping w/ASM, 75 µm						1													
2D With Dilution, 75 µm	1					1													
HT Staggered Dual Trapping, 75 µm		1				1													
Direct Injection, 300 µm						1													
2D with Dilution w/ASM, 300 µm								1											
HT 2D With Dilution, 300 µm								1		2					1	2	1		
Direct Injection, 1 mm					1														
Direct Injection, ionKey							1												
Direct Injection, ionKey with PCA							1												1
Infusion, ionKey/MS							1												
Single Pump Trapping, ionKey							1	1											
Single Pump Trapping, ionKey with PCA							1	1											1
Dual Pump Trapping, ionKey							1	1				1	1						
HT Staggered Dual Trapping, ionKey/MS	1						1				4	1		1					
Trizaic Tile, ionKey/MS							1			1									

Positioning and Movement

Position 1

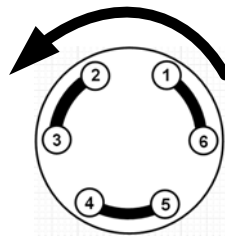


Position 2

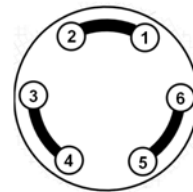


When the valve completes the homing operation, it is in position 2. The initialization procedure will then command the valve to position 1.

Position 1

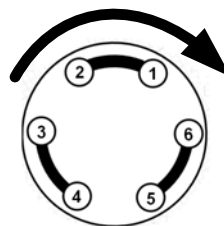


Position 2

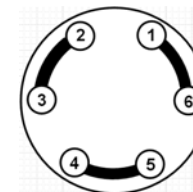


Counter clockwise rotation from position 1 to position 2

Position 2



Position 1



Clockwise rotation from position 2 to position 1

Blocked Position

